

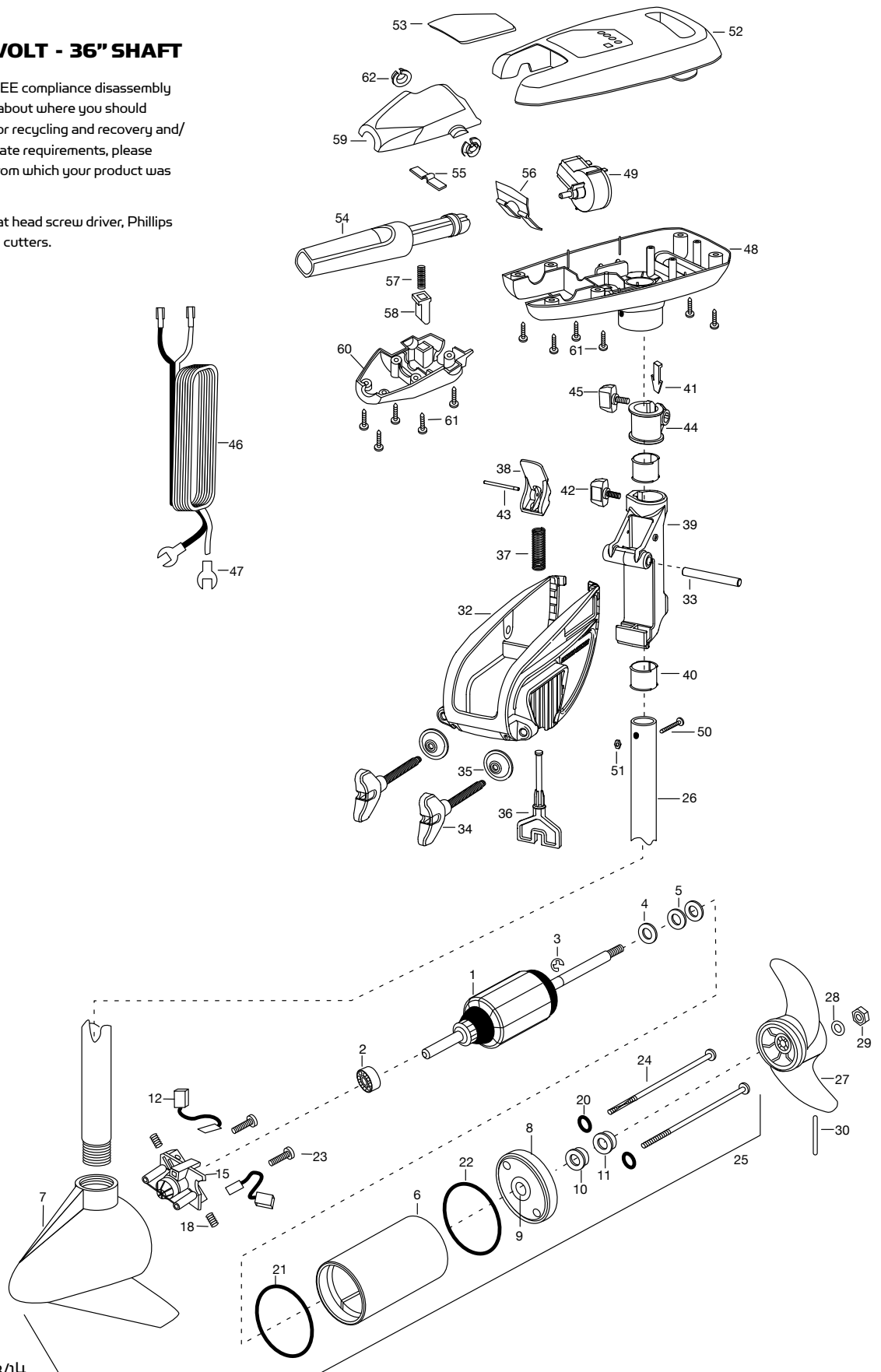
PARTS DIAGRAM

CAMO 45

45 LBS THRUST - 12 VOLT - 36" SHAFT

This page provides Minn Kota® WEEE compliance disassembly instructions. For more information about where you should dispose of your waste equipment for recycling and recovery and/or your European Union member state requirements, please contact your dealer or distributor from which your product was purchased.

Tools required, but not limited to: flat head screw driver, Phillips screw driver, socket set, pliers, wire cutters.



PARTS LIST

CAMO 45

45 LBS THRUST - 12 VOLT - 36" SHAFT

ITEM	QTY	PART NUMBER	DESCRIPTION
1	1	2-100-202	ARMATURE ASSEMBLY 12V 3.25 FW
2	1	140-010	RADIAL BEARING
3	1	788-015	RETAINING RING
4	1	990-067	WASHER – STEEL THRUST
5	2	990-070	WASHER – NYLATRON
6	1	2-200-079	CENTER HOUSING ASSEMBLY
7	1	2-300-132	BRUSH END HOUSING ASSEMBLY
8	1	2-400-128	PLAIN END HOUSING ASSEMBLY
9	1	144-049	FLANGE BEARING (SERVICE ONLY)
10	1	880-003	SEAL
11	1	880-006	SEAL W/SHIELD
12	2	188-052	BRUSH ASSEMBLY
15	1	738-030	BRUSH PLATE WITH HOLDER
18	2	975-032	COMPRESSION SPRING
20	2	701-007	O-RING
21	1	701-041	O-RING
22	1	701-039	O-RING
23	2	830-001	SCREW – #8-32 X 1.75
24	2	830-078	THRU BOLT #8-32
25	1	2069285	MOTOR ASSEMBLY 12V 3.25
26	1	2067711	COMPOSITE 36" TUBE
■	1	1378121	PROPELLER KIT (INCLUDES 23-26)
27	1	2061122	POWER PROPELLER 3.25
28	1	2151726	WASHER – 5/16 STD SS
29	1	2053101	NUT – NYLOC 5/16
30	1	2092600	DRIVE PIN
■	1	2771810	BRACKET & HINGE ASSEMBLY
■	1	2771910	BRACKET ASSEMBLY (INCLUDES 32, 34, 35)
*32	1	2061910	BRACKET
33	1	2060510	HINGE PIN
*34	2	2061300	SCREW – CLAMP

■ THIS ITEM IS PART OF AN ASSEMBLY.

*THIS ITEM IS PART OF A KIT AND ONLY LISTED FOR VIEWING PURPOSES.

ITEM	QTY	PART NUMBER	DESCRIPTION
*35	2	2011710	WASHER – CLAMP
■	1	2881300	SCREW – CLAMP, WASHER, RETAINER KIT
36	1	2063605	PLASTIC T-BAR
37	1	2062706	T-BAR SPRING
38	1	2067201	BLACK TILT LEVER
39	1	2061810	PLASTIC HINGE
40	2	2037301	HINGE BUSHING
41	1	2062800	SNAP-IN TENSION BLOCK
42	1	2011385	SCREW – TENSION/KNOB
43	1	2060515	TILT LEVER PIN
44	1	2031520	DEPTH COLLAR
45	1	2011365	COLLAR SCREW
46	1	2050609	LEADWIRE 10 GA SPADE TERM
47	2	2020702	SPADE TERMINAL 10GA.
48	1	2067706	CONTROL BOX CAMO 55
49	1	2064028	SWITCH – FWD/REV 5 SP
50	1	2033400	SCREW – #10-24 X 1-3/4
51	1	2013110	NUT – #10-24 HEX
52	1	2060284	CONTROL BOX COVER
53	1	2035622	CONTROL BOX COVER DECAL
54	1	2990918	INNER HANDLE ASSEMBLY
55	1	2302742	DETENT SPRING, OFF
56	1	2302743	HANDLE DETENT SPRING
57	1	2302745	RELEASE BUTTON SPRING
58	1	2303720	HANDLE RELEASE BUTTON
59	1	2067708	HAND TOP
60	1	2067707	HANDLE LOWER
61	11	2303412	SCREW – #6-20 X 5/8 SELF-TAP
62	2	2060005	HANDLE PIVOT BEARING
■	1	2888460	SEAL AND O-RING KIT