

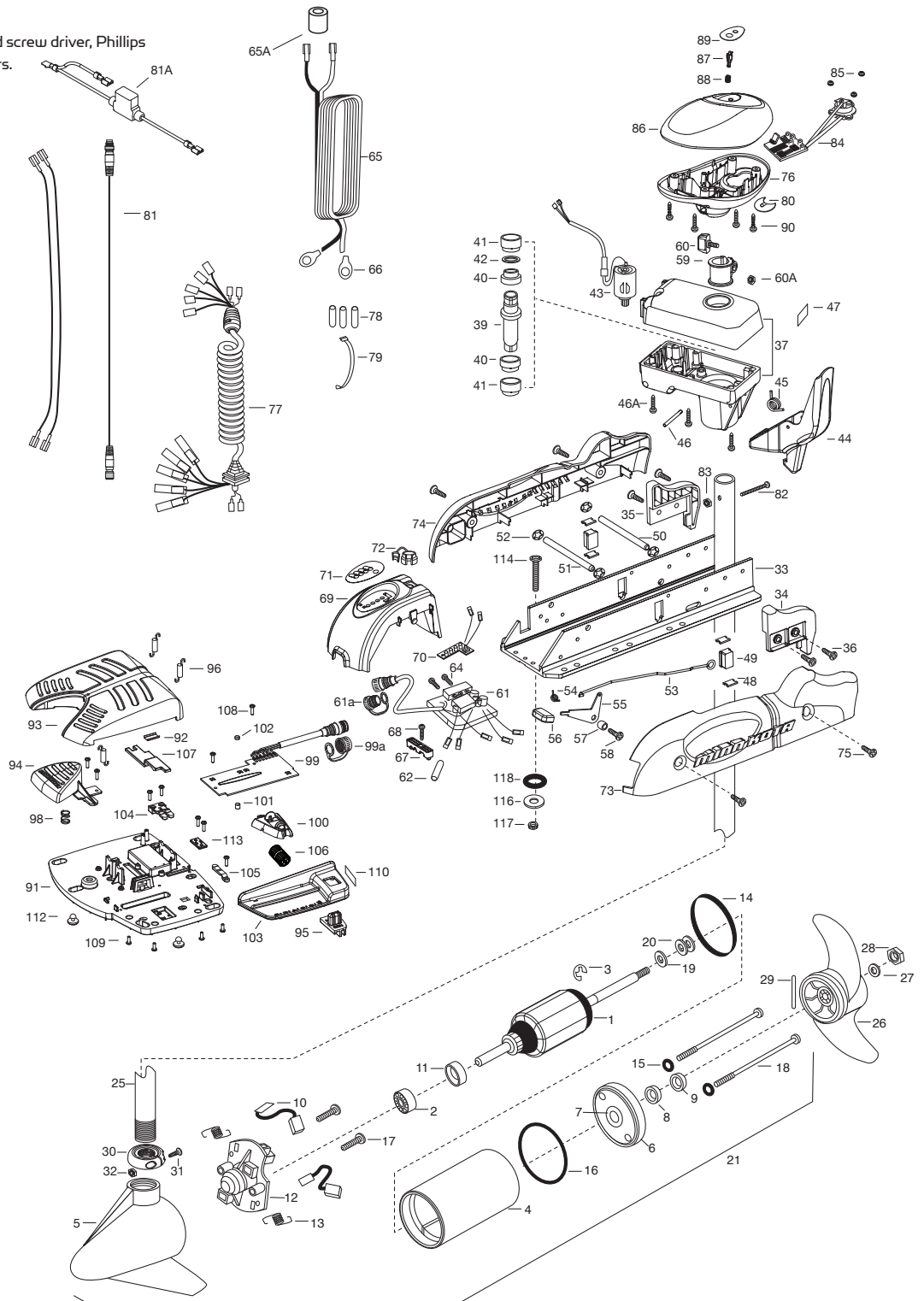
PARTS DIAGRAM

POWERDRIVE 55

55 LBS THRUST - 12 VOLT - 48"/54" SHAFT

This page provides Minn Kota® WEEE compliance disassembly instructions. For more information about where you should dispose of your waste equipment for recycling and recovery and/or your European Union member state requirements, please contact your dealer or distributor from which your product was purchased.

Tools required, but not limited to: flat head screw driver, Phillips screw driver, socket set, pliers, wire cutters.



PARTS LIST

POWERDRIVE 55

55 LBS THRUST - 12 VOLT - 48"/54" SHAFT

ITEM	QTY	PART NUMBER	DESCRIPTION
1	1	2-100-121	ARMATURE ASSEMBLY 12V VARS TXT
2	1	140-010	BALL BEARING
3	1	788-015	RETAINING RING
4	1	2-200-101	HOUSING ASSEMBLY CENTER 3.62 TXT
5	1	421-065	HOUSING -BRUSH END 3.62 TXT
	1	9421-167	HOUSING -BRUSH END 3.62 US2 48"
6	1	2-400-101	PLAIN END HOUSING ASSEMBLY 3.625
7	1	144-049	BEARING - FLANGE (SERVICE ONLY)
8	1	880-003	SEAL
9	1	880-006	SEAL WITH SHIELD
10	2	188-036	BRUSH ASSEMBLY
11	1	725-050	BRUSH RETENTION
12	1	738-036	BRUSH PLATE W/HOLDER
13	2	975-040	SPRING - TORSION
14	1	337-036	GASKET
15	2	701-008	O-RING, THRU-BOLT
16	1	701-081	O-RING
17	2	830-007	SCREW-8-32
18	2	830-042	THRU-BOLT 10-32X8.83
19	1	990-067	WASHER- STEEL THRUST
20	2	990-070	WASHER - NYLATRON
21	1	2097074	MOTOR ASSEMBLY 54"
	1	2097090	MOTOR ASSEMBLY US2
	1	2107097	MOTOR ASSEMBLY US2
25	1	2032076	TUBE-CARBON COMPOSITE 54"
	1	2032075	TUBE-CARBON COMPOSITE 48"
■	1	1378131	PROPELLER KIT
26	1	2091160	PROPELLER W/WEDGE 2
27	1	2151726	WASHER-5/16 SS
28	1	2053101	NUT-PROP NYLOC
29	1	2092600	PIN-DRIVE
30	1	2301545	COLLET - LATCH PD/AP
31	1	2303434	SCREW- 8-32X5/8 MACH
32	1	2303112	NUT 8-32 NYLOC SS
33	1	2301936	EXTRUSION- BASE MACH
34	1	2303932	MOTOR REST- RIGHT 3-5/8
35	1	2303937	MOTOR REST- LEFT 3-5/8
36	4	2303430	SCREW 1/4-20X5/8 SELF TAP
37	1	2771826	DRIVE HOUSING / LATCH HANDLE ASSY
■	1	2882011	BUSHING/ OUTSHAFT KIT (INCLUDES 39-42)
*39	1	2302010	DRIVE HSNQ OUTPUT SHFT
*40	2	2307304	BUSHING- INNER
*41	2	2307305	BUSHING- OUTER
*42	1	2304603	O-RING
43	1	2307050	MOTOR- DRIVE HOUSING
44	1	2307201	LATCH HANDLE PD/AP
45	1	2302750	SPRING- LATCH TORSION
46	1	2302627	PIN- ROLL ZINC
46A	6	2303407	SCREW - DRIVE HOUSING
47	1	2305564	DECAL-STOW/DEPLOY

ITEM	QTY	PART NUMBER	DESCRIPTION
48	4	2305110	PAD-PIVOT SUPT
49	2	2305103	PIVOT PAD- NEW MTR'L
50	1	2300500	PIN-LATCH
51	1	2300510	PIN-PIVOT
52	4	2013100	NUT-SPEED
53	1	2303612	ROD-RELEASE RT/AP S
54	1	2322700	SPRING-RELEASE LEVER
55	1	2303710	LEVER-RELEASE
56	1	2300101	RELEASE-KNOB
57	1	2301700	SPACER-RELEASE LEVER
58	1	2303430	SCREW-1/4-20 X 5/8
59	1	2031522	COLLAR- DRIVE (W/INSRT)
60	1	2011365	SCREW-COLLAR/ NEW KNOB
60A	1	2323104	NUT
61	1	2304066	CONTROL BOARD ASSY
61A	1	2320208	DUST PLUG
62	1	2355410	SHRINK TUBE-3/8 ODX2
64	3	2303434	SCREW-8-32 X 5/8
65	1	2090651	LEADWIRE LOGA 44"
65A	1	2307310	BEAD - FERRITE (INTL)
66	2	2020700	TERMINAL RING
67	1	2321310	STRAIN RELIEF-BRACKET
68	1	2323405	SCREW-1/4-20 X 5/8
69	1	2306555	HOUSING- CENTER PD/AP
70	1	2074070	BATTERY GAUGE - 12 V
71	1	2316605	DECAL, BATTERY GAUGE
72	1	2302935	STRAIN RELIEF-DR. HSNQ
73	1	2303960	SIDEPLATE (RIGHT)PD
74	1	2303965	SIDEPLATE(LEFT)PD MK
75	4	2303430	SCREW-1/4-20 X 5/8
76	1	2302515	CONTROL BOX PD/AP
77	1	2991283	COIL CORD 48"/54"
	1	2991287	COIL CORD 60"
78	3	2065400	WIRE INSULATOR-LGE
79	1	2256300	TIE WRAP-5" BLACK
80	1	2224702	INSERT- PLUG
	1	2224700	INSERT- PLUG US2
81	1	2211415	EXTENSION CABLE US2
81A	1	2218200	FUSE HOLDER US2
82	1	2332102	SCREW-10-24 X 1-3/4
83	1	2333101	NUT-HEX 10-24 ZCP
84	1	2994058	CONT BD COMPASS ASSY
85	3	2302960	GROMMET-COMPASS
86	1	2300237	CONTROL BOX COVER- PD
87	1	2304082	ACTUATOR SWITCH AP
88	1	2302752	SPRING - ACUATOR
89	1	2305661	DECAL - COVER 55PD/AP
	1	2305652	DECAL - COVER 55 PD/AP
90	4	2012100	SCREW-8-18 X 5/8 THD
■	1	2994725	FOOT PEDAL ASSEMBLY
91	1	2304505	FOOT PEDAL BASE
92	1	2308501	WEAR PLATE FOOT PDL
93	1	2300255	FT PEDAL, CORDED UPPER
94	1	2303723	BUTTON, MOMENTARY
95	1	2303722	BUTTON, MOM/CON
96	3	2302730	SPRING-LONG-UPPER PED
98	1	2302732	SPRING-LOWER PEDAL
99	1	2304052	FOOT PEDAL CONTROL BOARD ASSEMBLY

ITEM	QTY	PART NUMBER	DESCRIPTION
99A	1	2320207	DUST CAP
100	1	2308620	SLIDER, SPEED
101	1	2308409	MAGNET, 1/4 X 1/4
102	1	2778408	MAGNET, 1/4 X 1/8
103	1	2300252	COVER, SPEED SELECT
104	1	2308606	SWITCH, DOUBLE FINGER
105	1	2308608	SWITCH, SINGLE FINGER
106	1	2307900	WHEEL, SPEED
107	1	2308625	SLIDER, STEERING
108	9	2302100	SCREW-6-20 X 1/2
109	4	2372103	SCREW-6.20 X 3/8
110	1	2316600	DECAL, ON/OFF SWITCH
112	1	2994859	BAG ASSEMBLY - 5 RUBBER BUMPERS
113	1	2302907	STRN RLF PD FP
■	1	2994864	BAG ASSEMBLY - (BOLT,NUT,WASHERS)
*114	6	2263462	BOLT-MOUNTING-1/4X2
*116	6	2261713	WASHER-1/4
*117	6	2263103	NUT NYLOK 1/4-20 MTG
*118	6	2301720	WASHER-MNTNG RUBBER
■	1	2888460	SEAL & ORING KIT

■ THIS ITEM IS PART OF AN ASSEMBLY.

*THIS ITEM IS PART OF A KIT AND ONLY LISTED FOR VIEWING PURPOSES.