

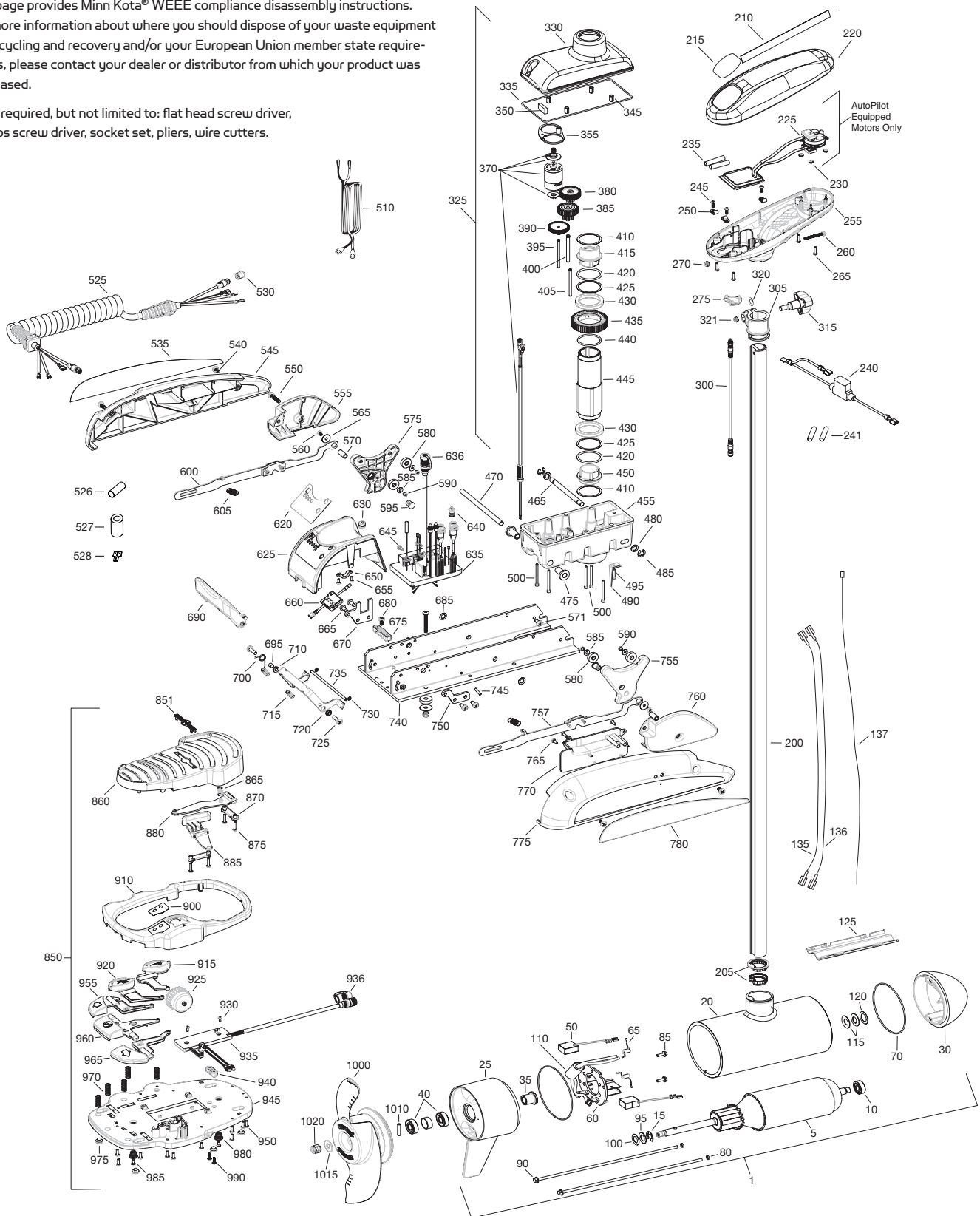
PARTS DIAGRAM

TERROVA 80

80 LBS THRUST - 24 VOLT - 45"/54"/60"/72" SHAFT

This page provides Minn Kota® WEEE compliance disassembly instructions. For more information about where you should dispose of your waste equipment for recycling and recovery and/or your European Union member state requirements, please contact your dealer or distributor from which your product was purchased.

Tools required, but not limited to: flat head screw driver, Phillips screw driver, socket set, pliers, wire cutters.



PARTS LIST

TERROVA 80

80 LBS THRUST - 24 VOLT - 45"/54"/60"/72" SHAFT

ITEM	QTY	PART NUMBER	DESCRIPTION
1	1	2777000	24V MOTOR 45" FW
	1	2777001	24V MOTOR 54" FW
	1	2777002	24V MOTOR 60" FW
	1	2777005	24V MOTOR US2 45"
	1	2777003	24V MOTOR US2 54"
	1	2777004	24V MOTOR US2 60"
	1	2777013	24V MOTOR US2 72"
5	1	2-100-214	ARMATURE ASSEMBLY
10	1	140-010	BEARING
15	1	788-040	RETAINING RING
20			INCLUDED IN #200 ASSY
25	1	2-300-170	BRUSH END HSING ASSY
30	1	421-276	PLAIN END HSING ASSY STD
	1	9421-284	PLAIN END HOUSING US2 45"
	1	9421-285	PLAIN END HOUSING US2 54"
	1	9421-286	PLAIN END HOUSING US2 60"
	1	9421-291	PLAIN END HOUSING US2 72"
35	1	144-017	FLANGE BEARING
40	2	880-025	SEAL
50	2	188-094	BRUSH
60	1	2-600-193	BRUSH PLATE ASSEMBLY 45"
		2-600-192	BRUSH PLATE ASSEMBLY 54"
		2-600-199	BRUSH PLATE ASSEMBLY 60"
65	2	975-041	BRUSH SPRING
70	2	701-043	MOTOR O-RING
80	2	701-009	O-RING – THRU-BOLT
85	2	830-027	SCREW, 10-32 X 2
90	2	830-094	THRU-BOLT
	2	830-095	THRU-BOLT SONAR ONLY
95	2	990-051	WASHER – STEEL
100	2	990-052	WASHER – NYLATRON
110	2	973-025	SPACER – BRUSH PLATE
115	2	992-010	WASHER – BELLEVILLE
120	1	990-045	SPACER – THRUST
125	1	582-013	CLIP, RETAINING, SHORT
135	1	640-013	LEADWIRE – BLACK 45"
	1	640-017	LEADWIRE – BLACK 54"
	1	640-025	LEADWIRE – BLACK 60"
	1	640-024	LEADWIRE – BLACK 72"
136	1	640-117	LEADWIRE – RED 45"
	1	640-132	LEADWIRE – RED 54"
	1	640-133	LEADWIRE – RED 60"
	1	640-125	LEADWIRE – RED 72"
137	1	640-315	GROUNDWIRE – BROWN, US2 ONLY 45"
	1	640-316	GROUNDWIRE – BROWN, US2 ONLY 54"
	1	640-317	GROUNDWIRE – BROWN, US2 ONLY 60"/72"
200	1	2777096	COMPOSITE TUBE 60" FW
	1	2777097	COMPOSITE TUBE 72" FW
205			INCLUDED IN #200 ASSY

ITEM	QTY	PART NUMBER	DESCRIPTION
210	2	2325665	DECAL – COVER
215	1	2325674	DECAL – CTRL BOX 80
	1	2325675	DECAL – CTRL BOX 80 US2
	1	2325676	DECAL – CTRL BOX 80 AUTOPILOT
	1	2325677	DECAL – CTRL BOX 80 AUTOPILOT & US2
220	1	2320200	COVER, CTRL BOX
225	1	2324032	CTRL BOARD, COMPASS, AUTOPILOT ONLY
230	3	2302960	GROMMET – COMPASS AUTOPILOT ONLY
235	2	2065400	WIRE INSULATOR
240	1	2218200	FUSE HOLDER – US2 ONLY
241	2	2375400	SHRINK TUBE – 1/4" OD X 1 3/4"
245	3	2372100	SCREW – 8-18 X .625
250	3	2052510	CABLE CLAMP
255	1	2322500	CTRL BOX
260	1	2332102	SCREW – 10-24
265	4	2372100	SCREW – 8-18 X .625
270	1	2333101	NUT – 10-24
275	1	2224700	PLUG – CTRL BOX SMALL HOLE - US2
	1	2224702	PLUG – CTRL BOX NO HOLE
	1	2224704	PLUG – CTRL BOX LARGE HOLE - US2/LINK
300	1	2211415	UNIVERSAL SONAR 2 EXTENSION CABLE
305	1	2771500	DEPTH COLLAR ASSY
315	1	2260906	KNOB (INCLUDED IN #305)
320	1	2321702	WASHER (INCLUDED IN #305)
321	1	2323102	NUT (INCLUDED IN #305)
325	1	2997020	STEERING HOUSING
330	1	2326501	STEERING HOUSING TOP
335	1	2324604	O-RING, CASE SEAL
345	4	2305605	ROLL PIN 5/16
350	1	2308601	BREATHER, FILTER
355	1	2328610	CRADLE, MOTOR
370	1	2777020	MOTOR, STEERING ASSY
380	1	2302255	GEAR CLUSTER (3RD STAGE)
385	1	2302250	GEAR CLUSTER (2ND STAGE)
390	1	2302245	GEAR CLUSTER (1ST STAGE)
395	1	2302610	GEAR SHAFT (1ST STAGE)
400	1	2302620	GEAR SHAFT (3RD STAGE)
405	1	2302615	GEAR SHAFT (2ND STAGE)
410	2	2321704	WASHER – THRUST
415	1	2321515	LINER – OUTPUT TUBE
420	2	2324608	O-RING – 224
425	2	2321720	SHIM – O-RING
430	2	2327308	SEALED BALL BEARING
435	1	2322200	GEAR – OUTPUT
440	1	2324601	O-RING – OUTPUT GEAR
445	1	2322030	TUBE – OUTPUT MACHINED
450	1	2321510	COLLAR, DRIVE BOTTOM
455	1	2326506	STEERING HOUSING, BOTTOM
465	1	2322600	PIN – LATCH, ZINC PLATE
470	1	2322602	PIN – PIVOT, ZINC PLATE
475	2	2327310	BUSHING, PIVOT PIN
480	2	2321702	WASHER, FLAT .375

PARTS LIST

ITEM	QTY	PART NUMBER	DESCRIPTION
485	2	2263011	E-RING .375
490	2	2322702	SPRING – LATCH PIN
495	1	2323410	SCREW, 8-32 X .75
500	7	2323408	SCREW, 8-32 X 2
510	1	2090651	LEADWIRE – 10 GA
525	1	2991274	COIL CORD, US2, 45"
	1	2991272	COIL CORD, US2, 54" / 60" / 72"
526	1	2325401	SHRINK TUBE – 3/4" ID X 2" W/ADHS
527	1	2307313	BEAD – FERRITE
528	1	2320710	TERMINAL AMP (T-TAB)
530	1	2320202	CAP, DUST, COIL CORD –NON-AP ONLY
535	1	2325641	DECAL, SIDEPLATE, LEFT
540	4	2323404	SCREW, 1/4-20
545	1	2321915	SIDEPLATE, LEFT
550	2	2323403	SCREW, 1/4-20 X .375
555	1	2321925	SKID, LEFT
560	2	2323422	SCREW, 10-24 X .375
565	2	2321700	WASHER, #10 SS
570	2	2322920	STAND-OFF, ALUM PLAIN
571	1	2323405	SCREW, 1/4" - 20 X 1/2" MCH SS
575	1	2323905	RAMP – 4" LEFT
580	4	2325115	PAD – RUBBER REST
585	4	2321706	WASHER, #8
590	4	2323412	SCREW, 8-18 X .25
595	2	2324705	INSERT – RAMP
600	1	2994202	RELEASE ARM ASSEMBLY
605	2	2322710	SPRING – EXTENSION
■	1	2770250	COVER – SPEED CONTROL WITH DECAL
620	1	2325650	DECAL, SPEED CONTROL
625	1	2320210	COVER, SPEED CONTROL
630	1	2322901	STRAIN RELIEF
635	1	2324019	CONTROL BOARD, 24-36V STANDARD (2 PLUGS)
	1	2324023	CONTROL BOARD, 24-36V IPILOT & LINK (1 PLUG)
■		2884050	SWITCH – REED REPAIR KIT
636	1	2320208	DUST PLUG
640	1	2320203	CAP, DUST, CTRL BOARD
645	2	2323406	SCREW, 10-24 X .50 CRPH SS
650	1	2321315	HOLDER, CONNECTOR
655	2	2332103	SCREW, 6-20 X .375
660	1	2074071	BATTERY METER, 24V
665	4	2323402	SCREW, 1/4-20 X .375
670	1	2321940	BRACKET, STRAIN RELIEF
675	1	2321310	STRAIN RELIEF, WIRE
680	1	2323405	SCREW, 1/4-20 X .5
685	2	2013100	SPEED NUT, .375
690	1	2320215	HANDLE, RELEASE CVR
695	1	2301700	BUSHING, SPACER - RELEASE LEVER - BRASS
700	1	2322701	TORSION SPRING
710	1	2320400	HANDLE, RELEASE FW
715	2	2322712	RELEASE HANDLE SPRING
720	2	2322604	BUSHING, HANDLE
725	2	2332104	SCREW, 1/4-20 X .625

TERROVA 80 80 LBS THRUST - 24 VOLT - 45"/54"/60"/72" SHAFT

ITEM	QTY	PART NUMBER	DESCRIPTION
730	2	2323000	E-CLIP, 3/16, SS
735	1	2322606	PIN, FOLLOWER, HANDLE
740	1	2321905	BASE EXTRUSION, MACH
745	2	2322912	SPRING PIN,
750	1	2321950	BRACKET, SIDEPLATE
755	1	2323900	RAMP – 4" RIGHT
757	1	2994204	ARM, RELEASE, RIGHT
760	1	2321920	SKID, RIGHT
765	3	2301310	SCREW, 8-18 X .5
770	1	2320220	COVER, ACCESS, FW
775	1	2321910	SIDEPLATE, RIGHT
780	1	2325640	DECAL, SIDEPLATE, RIGHT
850	1	2994720	FOOT PEDAL
851	1	2326710	PLUG, FOOT PEDAL
860	1	2324400	PEDAL, HEEL-TOE
865	1	2322714	SPRING, MOMENTARY
870	2	2321300	CLAMP
875	4	2223430	SCREW, 8 X .75
880	1	2328600	FLEX FINGER
885	1	2323710	BUTTON, MOMENTARY, LEFT
900	1	2325660	DECAL, FOOT PEDAL
910	1	2320205	COVER, HEEL-TOE
915	1	2323725	BUTTON, AP
920	1	2323715	BUTTON, MOM/CON
925	1	2320100	KNOB, SPEED, FOOT PEDAL
930	2	2332103	SCREW, 6-20 X .375
935	1	2324021	CONTROL BOARD, FT PEDAL
936	1	2320207	DUST CAP
940	1	2322900	STRAIN RELIEF, FT PEDAL
945	1	2324500	BASE PLATE, FT PEDAL
950	10	2301310	SCREW, #8 X .5
955	1	2323730	BUTTON, STEER, LEFT
960	1	2323735	BUTTON, MOMENTARY
965	1	2323701	BUTTON, STEER, RIGHT
970	5	2322704	SPRING, FOOT PEDAL
975	1	2994859	BUMPER, BAG ASSY
980	2	2322706	SPRING, BARREL
985	2	2323420	SCREW, 8-18 X .375
990	2	2372100	SCREW, 8-18 X .625
■		1378132	PROPELLER KIT WW2
■		2994876	PROPELLER BAG ASSY
1000	1	2331160	PROPELLER WW2
1010	1	2262658	DRIVE PIN, LARGE
1015	1	2091701	WASHER, PROP, LARGE
1020	1	2093101	NUT, NYLOCK, PROP, LARGE
■		2994864	MOUNTING HARDWARE BAG ASSY
■		2889460	SEAL & ORING KIT